

# OPERATOR'S MANUAL INSTRUCTIONS

for **ORIGO Alcohol and Alcohol/Electric Stoves**  
models **2000, 2500, 4000, 4100, 4300.**

## WARNING!

**WATER OR A CLASS A FIRE EXTINGUISHER WILL PUT OUT AN ALCOHOL FIRE. USE A CLASS B1 FIRE EXTINGUISHER FOR ELECTRIC FIRES.**

## SPECIAL SAFETY SECTION

Carefully read and understand these instructions before operating your ORIGO stove. Save these instructions and review them periodically.

### Fuel Safety.

#### CAUTION! USE ONLY DENATURED ALCOHOL.

Never use gasoline, kerosene, methanol, propane, charcoal lighter, diesel or other flammable substances or fuels. Uncontrollable operation and flare-ups can result and cause serious burns or personal injury.

1. Store fuel in an approved container away from the stove, the engine or other heat source.
2. Eliminate all sources of sparks or flames in the area where fuel is poured or stored.
3. Do not smoke while working with fuel.
4. Wipe up immediately any spilled fuel.

### Filling and Lighting Safety.

**CAUTION! DO NOT FILL FUEL CANISTERS WHILE THEY ARE STILL IN STOVE.** Overfilling, spillage, or hot surfaces can cause serious burns and fires.

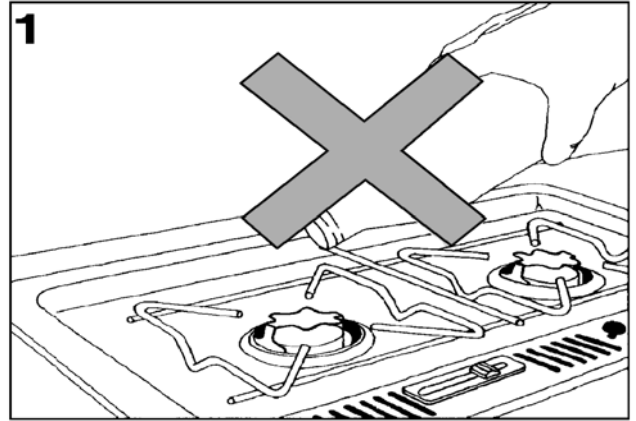
**NEVER POUR FUEL THROUGH BURNER OPENINGS IN TOP OF STOVE.** (Picture 1)

1. Remove fuel canisters from stove by carefully following instructions.
2. Move fuel canisters to a safe area away from all sparks, flames, or other heat sources before filling with fuel.
3. Make sure canisters are cool enough to be held in your bare hands before filling with fuel.

#### FUEL MAY BURN WITH AN ALMOST INVISIBLE

**FLAME.** Make sure that flame and heat-glow are extinguished before filling the canisters. Flame or heat-glow can cause alcohol fire, resulting in serious burns and personal injury.

4. **Do not overfill canisters.** Filling instructions must be followed closely. Check the fuel by tilting the canister vertically (Picture5). In this position, maximum fuel level occurs when the fuel just begins to show in the recess inside the canister opening. Alcohol expands when heated. If the canister is overfilled, the surplus will overflow into the stove cavity and can cause uncontrollable burning.
5. Wipe canisters to remove any excess fuel before replacing in the stove.
6. Light each burner with the stove securely closed, by holding a lit match or long lighter at the burner opening above the fuel canister. As soon as the burner ignites, quickly remove your hand. Long fireplace matches or a barbecue lighter is recommended.



### Installation and Maintenance Safety.

1. Install the stove in a well-ventilated area away from combustible material. Excessive draft must be avoided.
2. Do not hang or place towels, papers, curtains or other combustibles near an installed stove.
3. Keep all surfaces and interior parts free of grease, alcohol or other flammable substances.
4. Do not use an oversize pot or pan. Max. recommended diameter: 9"(230mm)
5. Make sure the appliance is securely in position when in operation as well as when not in use.

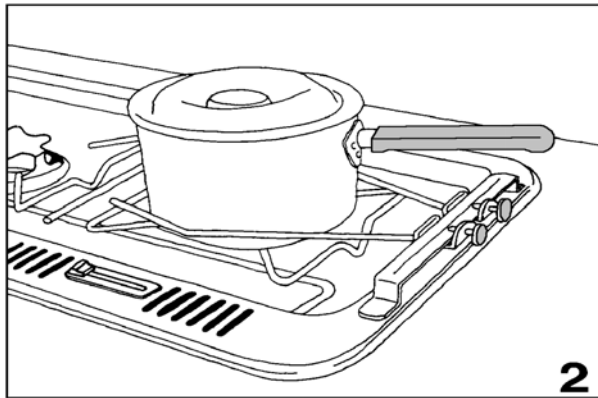
### General Safety.

#### WARNING!

**BE EXTREMELY SAFETY CONSCIOUS AS YOU WOULD WITH ANY APPLIANCE THAT OPERATES WITH AN OPEN FLAME. INSTRUCTIONS MUST BE FOLLOWED CLOSELY TO AVOID SEVERE BURNS OR CREATING A FIRE HAZARD.**

1. Make sure the stove is installed correctly. If electrically equipped, the stove must be installed by a qualified electrician and grounded in accordance with local codes. Repairs must be made by qualified service personnel. Ask your dealer to recommend qualified personnel, or contact ORIGO.
2. If electrically equipped, know how to disconnect power to the appliance at the circuit breaker or fuse in the event of an emergency or if service is required. Ask the installer to show you the proper switch or fuse and label the switch or fuse accordingly.
3. Wear proper clothing when operating the stove. Never wear loose fitting or hanging garments as such can catch on fire.

4. Use ORIGO potholders to clamp pots to grate on the stove if there is any risk of motion while the stove is in use. Unsecured pots can shift or fall resulting in dangerous spills that can cause serious burns. (Picture 2)



5. Allow all stove parts to cool to room temperature before touching or removing from the stove. When the burners are turned off, parts are still hot enough to cause serious burns for some time.
6. Know which control operates which burner. Always slide to the full open position when igniting the burners. Then adjust the flame so it does not extend beyond the edge of the pot. Move burner control to the off position before removing the pot.
7. Never allow pot handles to extend beyond the edge of the stove. Turn pot handles inward, but not extending over other burners or so they are tilted when the stove moves, if gimbals are used. These precautions will help minimize the possibility of spillage, ignition of flammable materials, and/or serious burns.
8. Watch closely when heating fat or grease. Fat or grease will catch fire if allowed to become too hot.
9. Avoid grease fires by cleaning after each use, particularly the area around the burners.
10. Never leave children alone or unattended in the area where the stove is in use. Never allow a child to sit or stand on or play with any part of the stove. As children grow, teach them proper, safe use of all appliances.
11. Do not store items of interest to children in cabinets above or to the side of a stove. Children climbing on or around the stove to reach such items can be seriously injured.
12. Never use the stove to heat or warm the cabin. Operating electric burners at a high setting without a filled pot over it can damage the stove.
13. Use dry potholders only when handling a pot. Wet or damp potholders used on hot surfaces can result in steam burns. Do not allow the potholder to touch heating areas. A towel or bulky cloth used instead of a potholder can catch on fire.
14. Never leave the stove unattended while the burners are in operation. Boilovers can cause excessive smoke; greasy spill-overs can cause fires; and a pan, which has boiled dry, can melt or crack.
15. Do not allow clothing or other flammable materials to come close to areas near the burners, or to the interior surfaces of the oven until they have had sufficient time to cool.
16. Do not place plastic items such as salt and peppershakers, spoon holders, wrappings or other utensils on top of the stove when it is in use as these can melt or ignite. Potholders, towels, or wooden spoons will catch on fire if allowed to come too close to a flame.
17. Do not store flammable materials near the burners. Keep the stove free of all flammable materials.
18. Never modify or alter the construction of the stove including removal of panels, wire covers, or any other permanent part of the product.

**WARNING!**  
**OPEN FLAME COOKING APPLIANCES CONSUME OXYGEN THIS CAN CAUSE ASPHYXIA-TION OR DEATH.**  
**MAINTAIN OPEN VENTILATION.**

## OPERATING INSTRUCTIONS

These instructions apply to the following stoves:

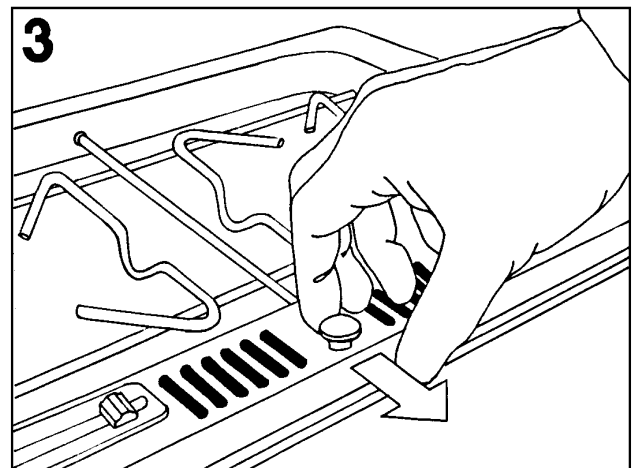
- Model: 2000 - Alcohol only**  
**2500 - Combination alcohol/electric**  
**4000,4100 - Alcohol only**  
**4300 - Combination alcohol/electric**

All these ORIGO stoves are equipped with non-pressurized alcohol burners. Alcohol is absorbed into a non-flammable material in the canisters. These units are not equipped with fuel valve or lines, which can develop leaks, or with other such components requiring regular service.

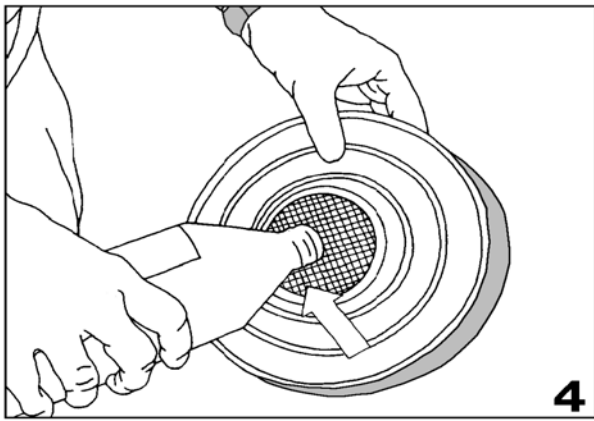
**WARNING!**  
**SAFETY PRECAUTIONS ARE REQUIRED AS ALWAYS WHEN WORKING WITH AN EXPOSED FLAME. CAREFULLY READ AND UNDERSTAND ALL INSTRUCTIONS BEFORE USING YOUR NEW ORIGO STOVE.**

### Filling the Fuel Canisters.

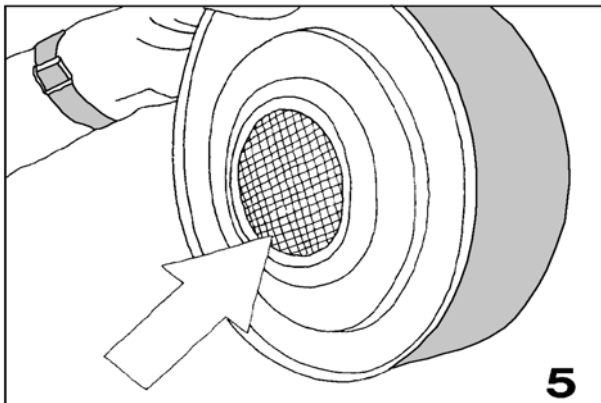
- The fuel canisters must be lifted out of the stove and moved away from open flames or hot objects before filling with fuel.
- Make sure all burners are turned off. (Alcohol burners must be closed and electric burners - if so equipped - must be turned to the "off" position.)
- Allow the stove to cool to room temperature.
- Remove the cutting board or raise the glass lid slightly as appropriate to your unit.
- Pull the stovetop latch forward (located at the front center of the cooktop. (Picture 3)



- Make sure that flames are completely extinguished and that there is no heat-glow on top of the canisters, and then lift out fuel canisters.
- Hold each canister (one at a time) as shown (Picture 4), then pour alcohol directly into the opening covered by wire mesh.
- **Maximum capacity from empty to full is 1 quart.**

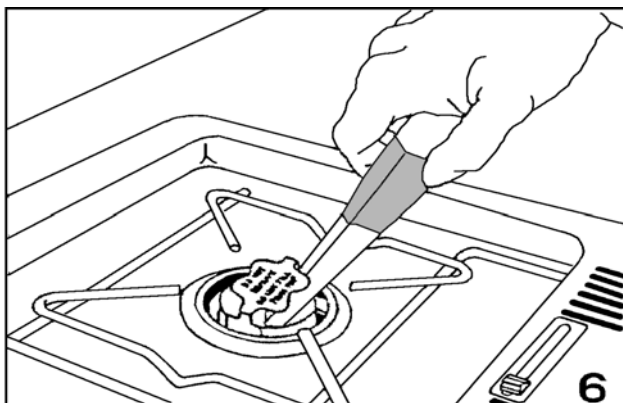


- Check fuel level by tilting the canister on its side as shown. (Picture 5) Hold in this position a few moments. When fuel is visible in the material at the bottom of the opening, the canister is filled to maximum recommended level.
- **Do not overfill.**
- **OPE:** It is not necessary to fill canister completely to operate. Stove will operate with less than maximum capacity of fuel.
- Wipe the canister dry and replace in stove, making sure it is fitted properly in the mounting.
- Close the stovetop and make sure the latch secures the stovetop and that the top is level.



### To Light the Alcohol Burner.

- A hand-held butane lighter is recommended.
- Slide control to the maximum position to open the burner.
- Place a long match or long butane lighter at the burner opening. (Picture 6)
- **NOTE:** If stove is warm from previous use, burner may ignite, then immediately go out. In this event, blow down into the burner opening to dissipate vapor and re-light as above.



### To Extinguish the Alcohol Burner.

- Slide the control mechanism to "Off" position.
- Wait a moment, and then slide back to "Max" to make sure flame is out.
- Slide to "Off" again.
- Wait until the stove has completely cooled before closing the glass top or replacing the cutting board.

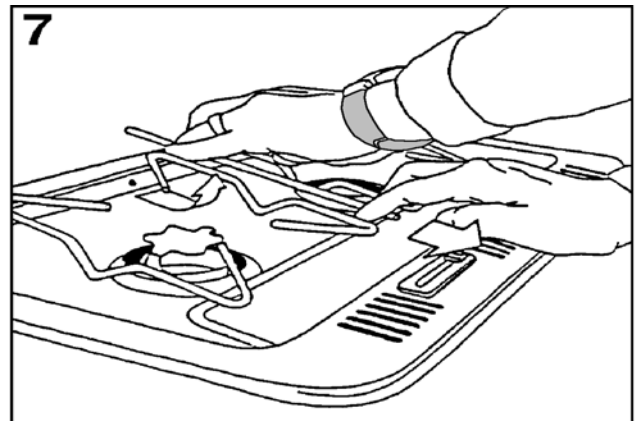
### Gaskets.

- The stove is equipped with a rubber gasket for each fuel canister. Gaskets are to be installed when the stove will be inoperative for a period of time and will reduce alcohol evaporation.
- To install: Open stovetop and make sure all parts are cool and place the gaskets over the canister openings.
- Close the stovetop making sure it is level and that the latch is properly secured.
- **Be sure to remove canister gaskets before operation.**

### Cleaning.

**WARNING!**  
REGARDING CLEANING FLUIDS AND ELECTRICAL COMPONENTS.  
**SWITCH BREAKER OFF!**

- **Electrically equipped models:** The coil elements can be lifted slightly from the top to gain access underneath. Do not force the coils beyond the feel of resistance. To do so can damage the element.
- **All other models:** Remove the grate. Note the hole at the back of the cooktop into which the grate retainer fits. To remove the grate, slide the retainer out of the hole and lift grate. (Picture 7)



### Instructions for Electric Burners

- Never attempt to use electric and alcohol burners simultaneously. To do so will cause overheating, which can destroy the electric elements.
- Move cutting board away or open the glass lid as applicable to your unit.
- If your stove is equipped with two electrical elements, the left buttons control the left element.
- Turn off stove when cooking is complete.
- Make sure that the elements have cooled down completely before replacing the cutting board or glass top.
- Disconnect switch should be in off position when stove is not in use.

## Electronic Burner Control

To start the stove, push the button with the "key" symbol, and then the "+" button in 10 seconds. Increase heat by pressing the "+" button, decrease heat by pressing the "-" button.

Turn off the electric element(s) by pressing the "0" button. After using the "0" (off) button, you have to press the "key" button again to restart the stove.

Shutting the glass lid or replacing the cutting board will shut off electric power, as a safety only.

The power is varied in 5 steps and indicated by 3 light emitting diodes (LEDS) for each burner in a combination fashion. The indications are as follows in the ascending order:

Off Position	=	No LED	=	Power level	0%
Position 1	=	LED1	=	Power level	20%
Position 2	=	LED1 + LED2	=	Power level	40%
Position 3	=	LED2	=	Power level	60%
Position 4	=	LED2 + LED3	=	Power level	80%
Position 5	=	LED3	=	Power level	100%

Holding the buttons "+" or "-" down will repeatedly step the power up or down respectively until hitting the end position i. e. full power and off positions respectively. A single brief push will change only one step in the desired direction. The off button operated by the lid will shut both electric burners off.

## INSTALLATION.

### Location and Fitting of the Stove.

Your stove should be located in a well-ventilated space. Avoid excessive draft. If you fit in an open cockpit, or other open area, wind protection must be provided. Mount the stove as far away from combustible materials as possible.

### **WARNING!**

**PLACE UNIT IN A WELL-VENTILATED AREA AWAY FROM ALL COMBUSTIBLE MATERIALS. INSTALL A CLASS B-1 FIRE EXTINGUISHER IMMEDIATELY AT HAND.**

**DOMETIC AB**  
Internet [www.dometic.com](http://www.dometic.com)  
Phone +46 35 165700  
Fax +46 35 165710  
Olofsdalsvägen 15  
SE-302 41 Halmstad, Sweden

Cut a rectangular hole (see measurements below). Place the stove (with the top open and canisters removed) in the middle of the hole. When in proper position, use the fastening holes in the rim as a template to mark and drill for screws with low heads to clear the stovetop. Install the screws and fasten securely.

The stove shall be installed in accordance with national regulations. In USA it is advisable to follow the ABYC recommendations.

### Cutout for Model No:

2000 and 2500:	13 9/16" x 12 5/8" (345 x 320 mm)
4000:	20 1/2" x 12 1/4" (520 x 310 mm)
4100 and 4300:	22 5/8" x 12 5/8" (575 x 320 mm)

The appliance must be connected to the correct voltage as marked on the stove.

Use No. 12, three-wire tp. rubber-insulated cable. The black L1 wire is the ungrounded conductor. Secure the cable with the clamp.

(See applicable USCG or ABYC requirements)

## Technical Data.

### For Model No. 2000 and 2500:

Height:	approx. 6" (150 mm)
Depth:	approx. 14 9/16" (370 mm)
Length:	approx. 15 3/8" (390 mm)

### For Model No. 4000:

Height:	approx. 6" (150 mm)
Depth:	approx. 14 3/16" (360 mm)
Length:	approx. 22 1/2" (620 mm)

### For Model No. 4100 and 4300:

Height:	approx. 6" (150 mm)
Depth:	approx. 14 9/16" (370 mm)
Length:	approx. 24 3/8" (620 mm)

Canister volumes:	approx. 2,5 pints each (1,2 L)
Fuel:	Denatured alcohol, Methylated spirit
Coil elements:	1100 W each

Dometic Environmental Corporation  
2000 N. Andrews Avenue Ext.  
Pompano Beach, FL 33069, USA  
Phone: (954)973-2477  
Fax: (954)979-4414