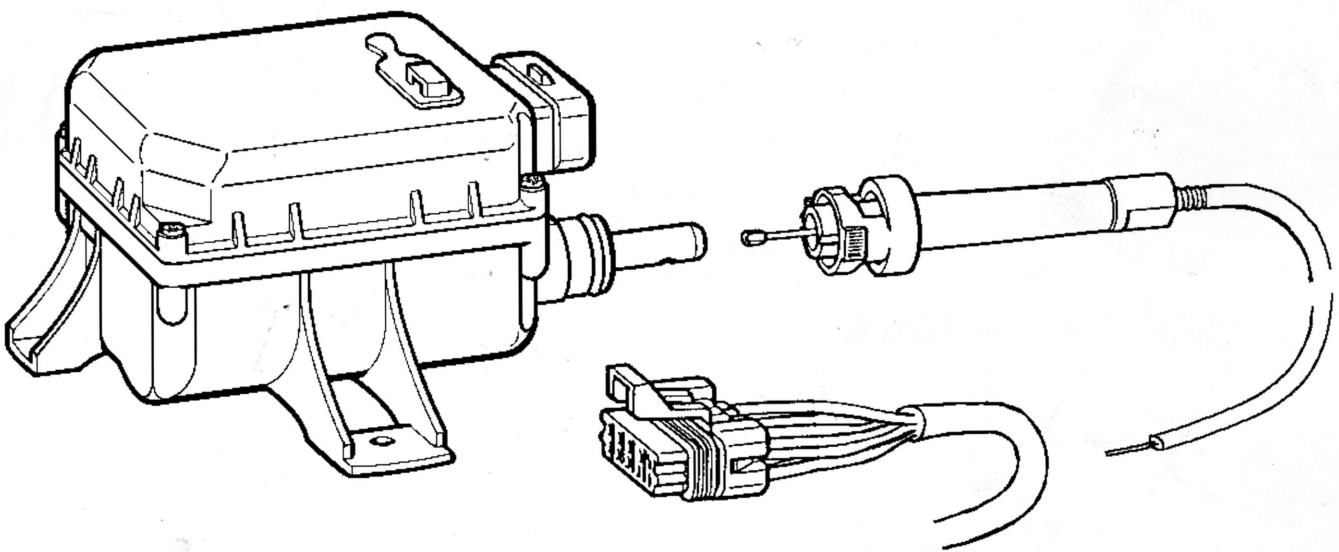
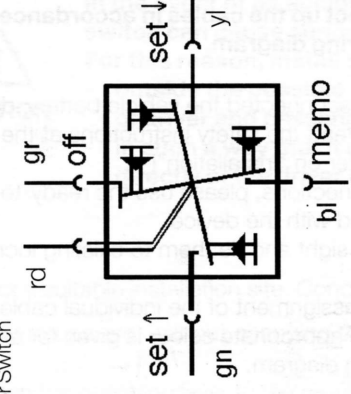


VDO compact tempostat[®], 12 Volt

- ⓓ Montageanleitung
- ⓔ Installation Instructions

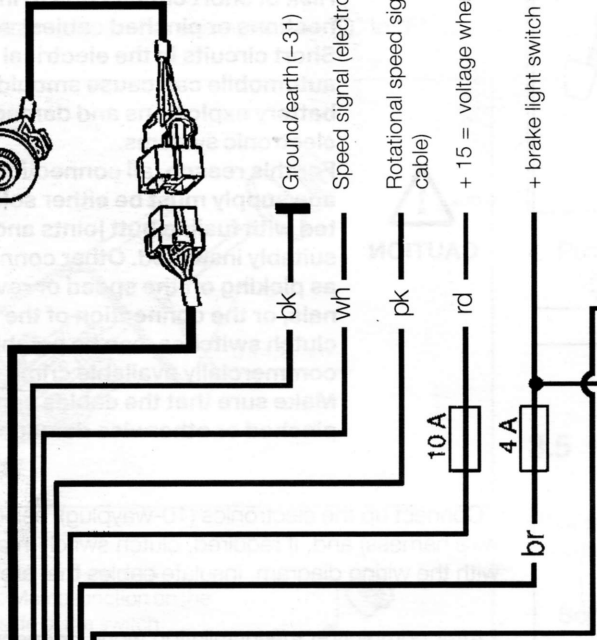


Selector Switch



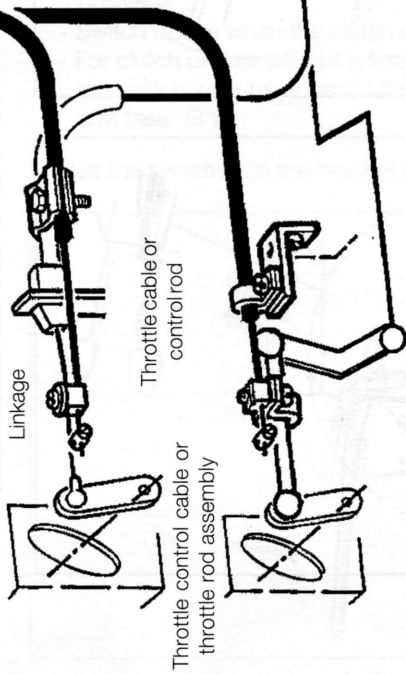
bi memo

Ground/earth (-31)
Speed signal (electronic speedometer)
Rotational speed signal (free for clutch switch, insulate cable)
+ 15 = voltage when ignition is switched on
+ brake light switch voltage input

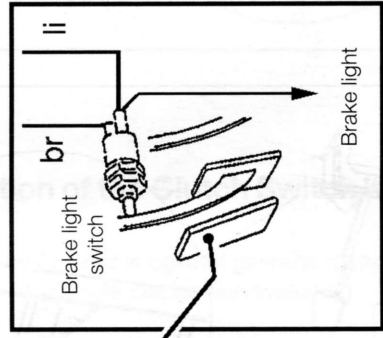


Bowden cable

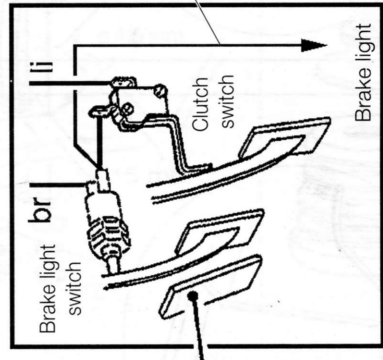
Control element motor with electronics



- bk = black
- bl = blue
- br = brown
- gn = green
- gr = grey
- li = lilac
- pk = pink
- rd = red
- wh = white
- ye = yellow



For Automatic Gearbox



For Manual Gearbox

2. Operation

Function

The *VDO compact tempostat*® enables driving at constant speed without having to press the accelerator pedal.

In the case of long motorway journeys, for instance, this function avoids premature tiredness or cramp in the right foot.

Once the desired speed is programmed, the *VDO compact tempostat*® assumes control of the throttle lever. The desired speed must be greater than or equal to the minimum speed v_{\min} .

Sudden changes in the traffic situation can give rise to danger!

It is therefore essential to concentrate fully on driving the vehicle even when the *VDO compact tempostat*® function is selected. Always be ready to brake.

Use the *VDO compact tempostat*® only in suitable traffic and weather conditions!



CAUTION

Overriding: (Increase of the set speed)

Even when the *VDO compact tempostat*® is active, the vehicle can be accelerated to highest speed by pressing the accelerator pedal.

When you override the *VDO compact tempostat*® by increasing the vehicle's speed with the accelerator pedal, there is a risk of forgetting that the *VDO compact tempostat*® is still switched on. This applies especially if you maintain a higher speed with the accelerator pedal for a long time.

When the speed set with the *VDO compact tempostat*® is exceeded, the *VDO compact tempostat*® speed remains stored. As soon as the accelerator pedal is eased back, the vehicle is automatically accelerated back to the speed set with the *VDO compact tempostat*®.

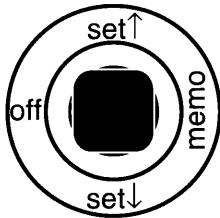
For this reason, switch off the *VDO compact tempostat*® if you wish to drive faster for an extended period!



CAUTION

Selector Switch

The selector switch can be used to control the functions described in the following.



Switching on: (Setting of the speed)

(Method 1)

- Acceleration up to the desired speed.
- Push the selector switch towards "set↑" or "set↓" and release.

The *VDO compact tempostat*® stores the vehicle's current speed and maintains it without the accelerator pedal being pressed.

(Method 2)

- The speed is at least v_{\min} .
- Push the selector switch towards "set↑" and hold it depressed.

The vehicle accelerates without the driver having to press the accelerator pedal.

- When the desired speed is reached, release the selector switch.

The *VDO compact tempostat*® stores the vehicle's current speed and maintains it without the accelerator pedal being pressed.

To set increased speed:

- Accelerate to the desired speed.
- Push the selector switch towards "set↓" and release.

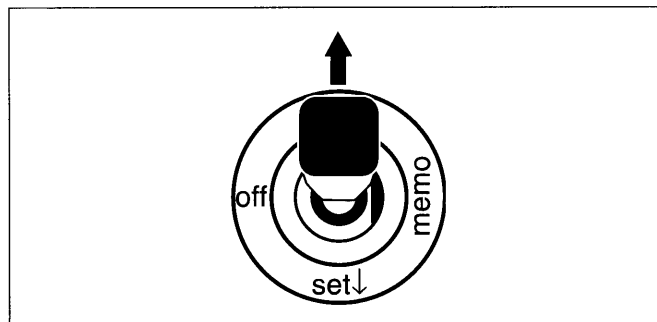
To increase set speed continuously: ("set↑" function)

- Push the selector switch towards "set↑" and hold.

The vehicle's speed increases without the accelerator pedal being pressed.

- Once you reach the desired speed, release the selector switch.

The *VDO compact tempostat*® stores the vehicle's current speed and maintains it without the accelerator pedal being pressed.



To increase speed by 1 km/h: (tip-up function)

- Briefly push the selector switch towards "set↑" and release.

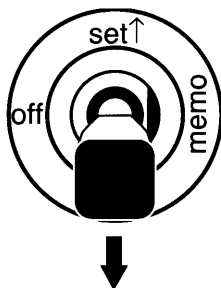
To decrease set speed continuously: ("set↓" function)

- Push the selector switch towards "set↓" and hold.

The vehicle's speed decreases.

- Once you have reached the desired speed, release the selector switch.

The *VDO compact tempostat*[®] stores the vehicle's current speed and maintains it without the accelerator pedal being pressed.

**To decrease speed by 1 km/h :** (tip-down function)

- Briefly push the selector switch towards "set↓" and release.

To switch off: (off function)

- Push the selector switch towards "off" and release

or

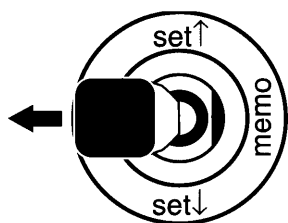
- Depress the brake pedal

or

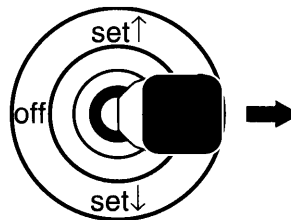
- Depress the clutch

If the *VDO compact tempostat*[®] is not fitted with a clutch switch, it must be taken into account that the engine speed briefly increases before the *VDO compact tempostat*[®] switches off.

In either case the *VDO compact tempostat*[®] stores the current set speed. Until the ignition is switched off, this speed can be reactivated at any time by pushing the selector switch towards "memo".

**To reactivate the VDO compact tempostat[®] with the previous set speed:** (memo function)

(only if the ignition has not been switched off since the *VDO compact tempostat*[®] was last selected and the vehicle's current speed is greater than or equal to the minimum speed v_{min} .)



ATTENTION

Risk of damage caused by the engine overspeeding!

Select "memo" only in the gear in which you were driving with the previous set speed.

- Push the selector switch towards "memo" and release.

The *VDO compact tempostat*[®] gradually accelerates the vehicle to the set speed and then maintains this speed.

3. Maintenance

The following measures are required in addition to the regular vehicle maintenance routine:

- Examine the actuating cable for kinks or breaks
- Lubricate the actuating cable with commercially available petroleum or silicone grease.

No other maintenance is necessary.



CAUTION

Damaged actuating cables impair operating safety!

For this reason, have damaged actuating cables renewed immediately!